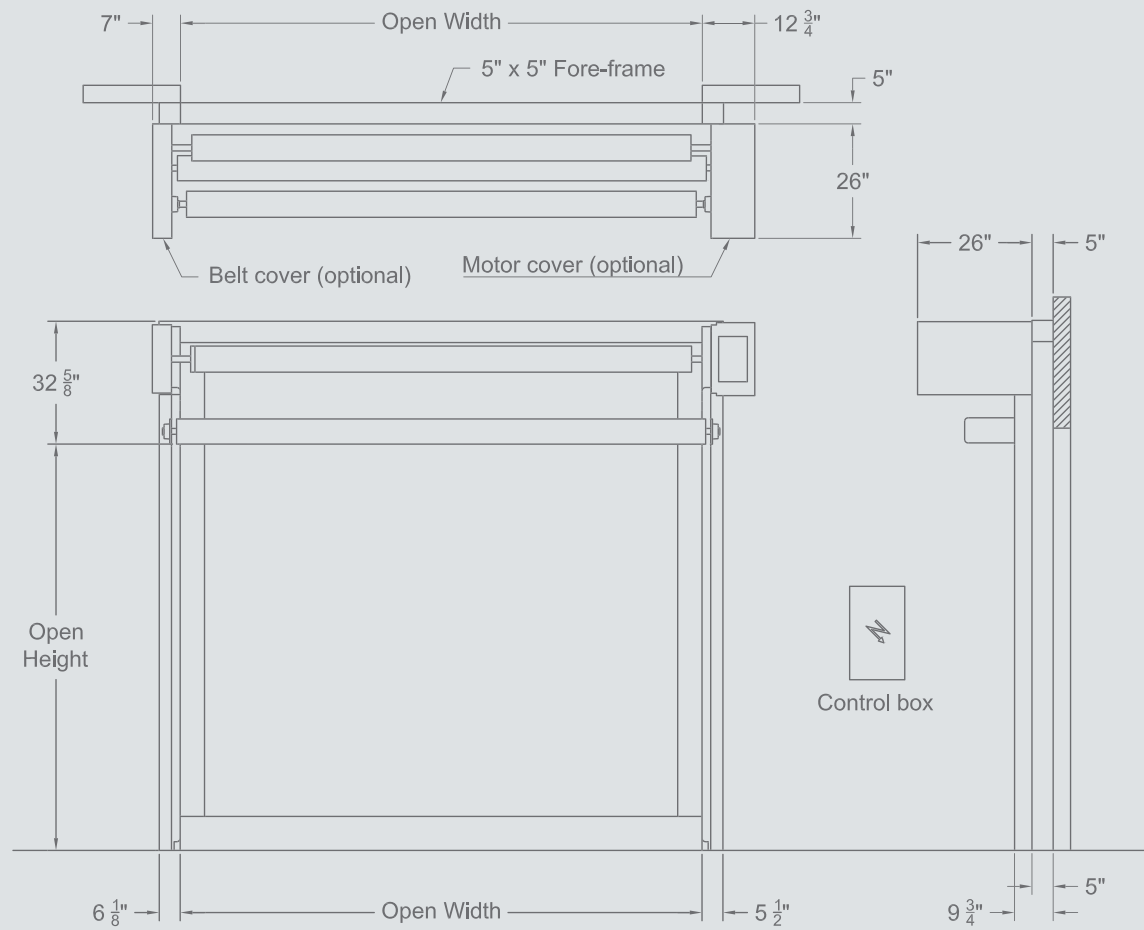




Dimensions and installation requirements  
DYNACO ALL WEATHER M3 HIGH PERFORMANCE DOOR



All indicated dimensions are net: the space necessary for mounting and maintenance has to be provided.  
REMARK: based on the risk analysis of the environment, extra push buttons, detectors and covers might be required.



Entrematic offers a comprehensive range of products for industrial, commercial, institutional and residential applications, including sectional doors, loading dock equipment, high-performance doors, residential garage doors, pedestrian door automation and openers. Built on nearly 200 years of accumulated expertise, Entrematic is the preferred partner of distributors and the number one choice of end user customers, providing innovative products, technical expertise and a portfolio of industry-leading brands including Amarr, Kelley, Serco, Dynaco and Ditec. Entrematic, Amarr, Kelly, Serco, Normstahl, Dynaco, Ditec and EM, as words and logotypes, are examples of trademarks owned by Entrematic Group AB or companies within the Entrematic Group.

© Entrematic Group AB, 2015

The Dynaco products are protected by worldwide registered patents. As part of its policy of continuous product development, Entrematic reserves the right to change the characteristics of its products or components without prior notice. Disclaimers: For a correct use of our products, please refer to our manual. Everything that is mentioned in this brochure is only valid under the terms of use in the user manual and on condition that the door was properly installed and maintained and has not undergone abuse nor neglect.

**DYNACO ALL WEATHER M3  
HIGH PERFORMANCE DOOR**

**Push-Pull**  
gear driven technology

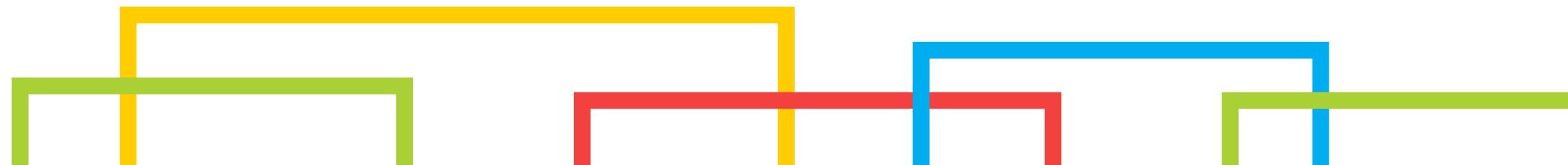


**exterior door**

**ENTRE//MATIC USA**  
935 Campus Drive Mundelein IL 60060  
P: 1-800-459-1930  
P: 1-847-562-4910  
F: 1-800-459-1960  
Email: [dynaco@dynacodoor.us](mailto:dynaco@dynacodoor.us)  
[www.dynacodoor.us](http://www.dynacodoor.us)

**ENTRE//MATIC**

[www.dynacodoor.us](http://www.dynacodoor.us)



# DYNACO ALL WEATHER M3 HIGH PERFORMANCE DOOR

Designed for large exterior applications, the All Weather M3 is engineered for high cycles, extreme weather and high wind loads.

The All Weather M3 incorporates patented push pull technology, pivoting side guides, soft edge technology, self-reinsertion and industrial quality controls. Combined, the systems provide maximum performance and safety for large high-pressure applications.

Available in nine standard colors and with additional vision and fabric options, the All Weather M3 will provide maximum efficiency, safety and reliability.

- OPERATION**  
 Patented "Push-Pull" gear drive system eliminates rigid components and allows for reliable open and close under pressure.
- WIND AND PRESSURE RESISTANCE**  
 Patented side guide assembly is spring-loaded and pivots, allowing operation under pressure.
- SEALING**  
 Inner guides of durable UHMW encapsulates curtain edges, providing a virtually perfect seal and eliminating wear prone conventional weather-strip. Top sealing flap and soft bottom edge seal complete the seal system.
- SELF-REINSERTING CURTAIN**  
 In the event of an accidental impact, the inner guide allows the curtain edge to separate. The curtain automatically re-inserts on the up cycle without manual intervention.
- SAFETY**  
 The door curtain utilizes a resilient curtain material and soft bottom edge technology. The soft and flexible curtain prevents accidents associated with rigid component doors. Thru beam photo eyes IP67 (NEMA 4X) and wireless reversing edge are also standard.
- DRIVE SYSTEM**  
 Push pull door drive system driven by a five year warranted direct drive motor and gearbox IP65 (NEMA 4) suited for exterior and interior conditions. An IP65 (NEMA4) absolute encoder provides accurate positioning without the use of mechanical limits.
- CONTROL SYSTEM**  
 UL certified industrial control panel, with modular design, housed in a NEMA 4/12 enclosure. Standard components include VFD, fused rotary disconnect, WDD receiver, photo eye amplifier, control transformer and DYNALOGIX II door controller. The DYNALOGIX II programmable controller visually informs user of errors and is equipped with a multi character LCD screen.

**Push-Pull**  
gear driven technology



exterior door

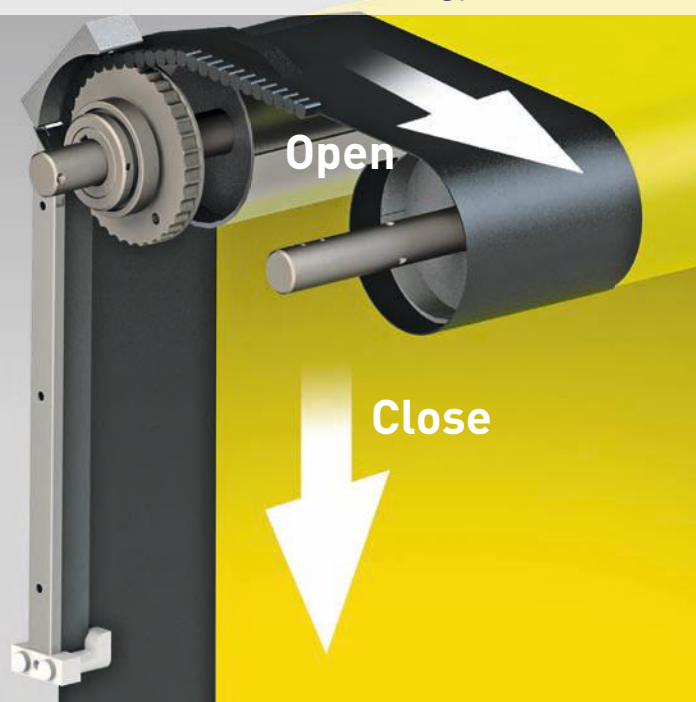
## TECHNICAL SPECIFICATIONS

<b>Door Dimensions</b>	Minimum: 18' W x 18'H Maximum: 39'W x 18'H Consult Factory for higher than 18'
<b>Operating Speed</b>	31.2" per second open 31.3" per second closing
<b>Safety Features</b>	Soft bottom edge with wireless reversing edge and in guide mounted photo eyes. No coil cords.
<b>Door Panel</b>	Reinforced PVC (27 oz/sq.yd). Available in nine standard colors and provided with side sealing drive zippers.

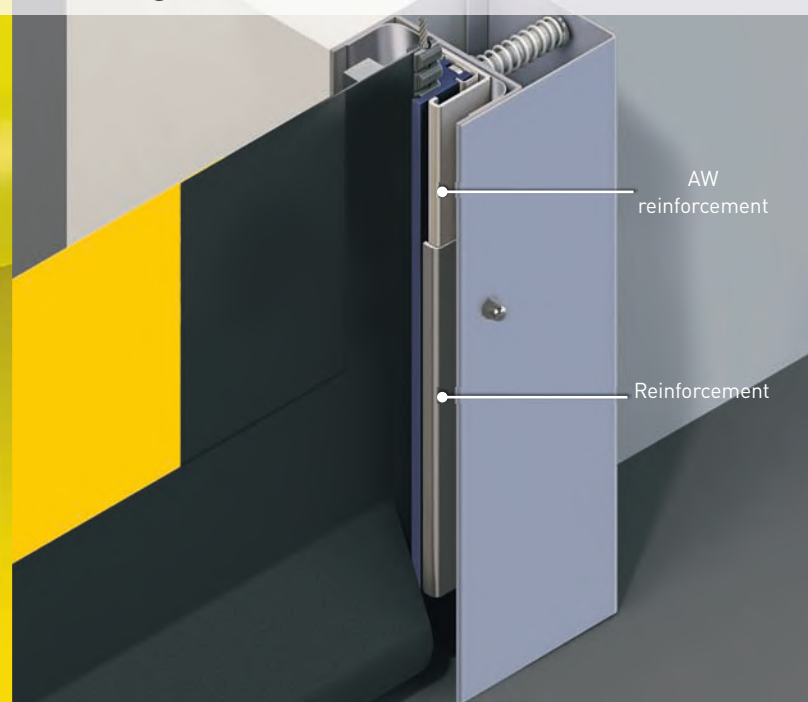
## TECHNICAL SPECIFICATIONS

<b>Door Components</b>	Direct Drive Unit. Side frames made of structural channels of 3 15/16" x 2" x 1/8" The outer side guides are constructed from structural channels of 3 15/16" x 1 15/16" x 1/8" in galvanized steel. Inner side guides in Polyethylene (PE-UHMW 1000); retained in steel C channels 7/8" x 1 9/16", spring pivoting. Galvanized side guide covers included.
<b>Fore Frame</b>	Painted Fore frame included, with guide roller
<b>Control and Drive System</b>	UL certified industrial control panel housed in NEMA 4/12 enclosure. DYNALOGIX II controller with variable frequency drive and high resolution encoder. Voltage: 208-240 VAC, 480 VAC, 575VAC. Motor 3.35HP, 3ph, 60Hz. Protection degree IP65.
<b>Wind resistance</b>	Withstands in high force winds of up to 110 MPH depending on door size.

"PUSH-PULL" Drive Technology



Side guide reinforcement



Side guide and M3 drive zipper

