



D-313 STREAMLINE HIGH PERFORMANCE DOOR

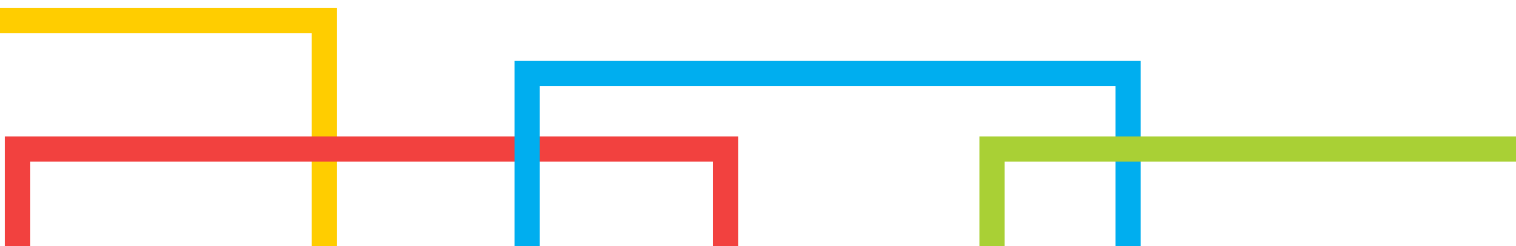
**Gravity
driven**

low friction technology



interior door

www.entrematic.com



D-313 STREAMLINE HIGH PERFORMANCE DOOR

The Streamline Door provides outstanding environmental control through the use of state of the art technology. A sleek, attractive exterior houses patented components designed for maximum performance with minimal noise and clearance issues. Designed for applications where cleanliness and/or aesthetics are critical, the Streamline incorporates smooth composite materials virtually free of exposed fasteners. Ultra quiet operation and soft curtain technology assure safety and comfort. Streamline doors are designed for interior only environments to 0.82 lbft² and have a maximum standard dimension of 14'x14'.

■ INTEGRATED MOTOR DESIGN

The patented "In Tube" motor design reduces lateral spacing and allows door speeds up to 120" sec. The drive system utilizes soft start/stop technology, an absolute encoder and dynamic braking, eliminating maintenance prone limit switches and brakes.

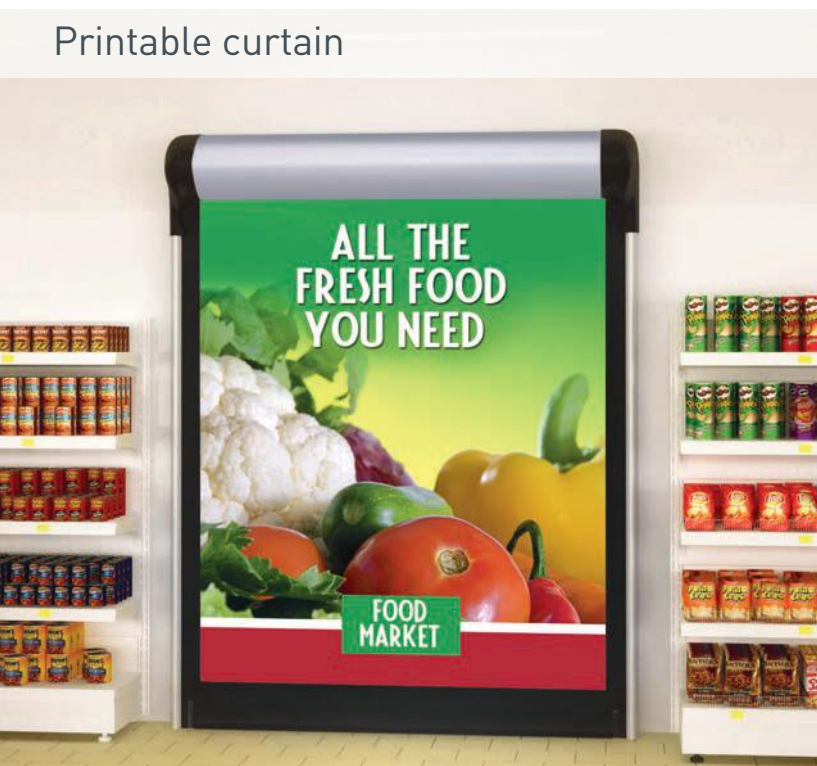
■ SIDE GUIDES AND SEALS

Side guides are formed from galvanized structural shapes with a curved composite cover. Covers attach to the frames without the use of exposed fasteners. Inner side guides are extruded, self-lubricating UHMW that mold around the bead leaving a maximum air gap of 0.017". Conventional weather-strip systems that are prone to wear and damage are eliminated.

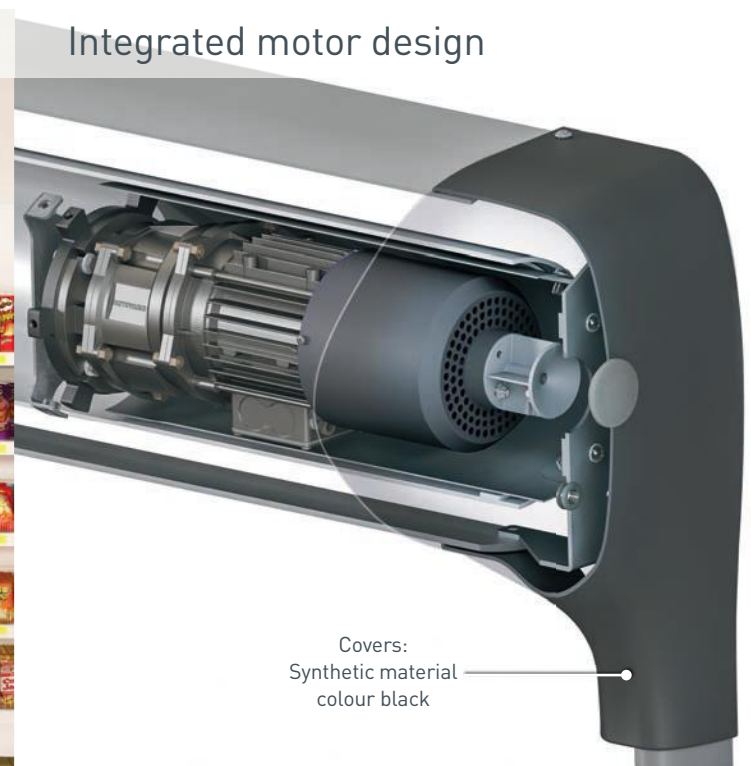
■ SAFETY

DYNACO's exclusive soft curtain design prevents hard edge accidents. No stiffeners or rigid components to injure workers or damage equipment. A wireless reversing edge and built-in infrared sensors protect against downward accidents.

Printable curtain



Integrated motor design



Covers:
Synthetic material
colour black

Gravity driven

Low friction technology



interior door

■ SELF RE-INSERTING

In the event the curtain is dislodged from the side frames, the door automatically re-inserts without manual intervention. Automatic re-insertion reduces maintenance and downtime, improves ergonomics and safety.

■ CONTROL SYSTEM

Our state of the art DYNALOGIX controller is user friendly and provides self-diagnostic and programming functions. A view window in the NEMA 4 enclosure lets you read door status on a multi character LCD screen.

■ UNIQUE DESIGN

Streamline's sleek, attractive and unobtrusive profile minimizes clearance and projection requirements while simplifying cleaning procedures. Sharp angles and exposed fasteners are virtually eliminated

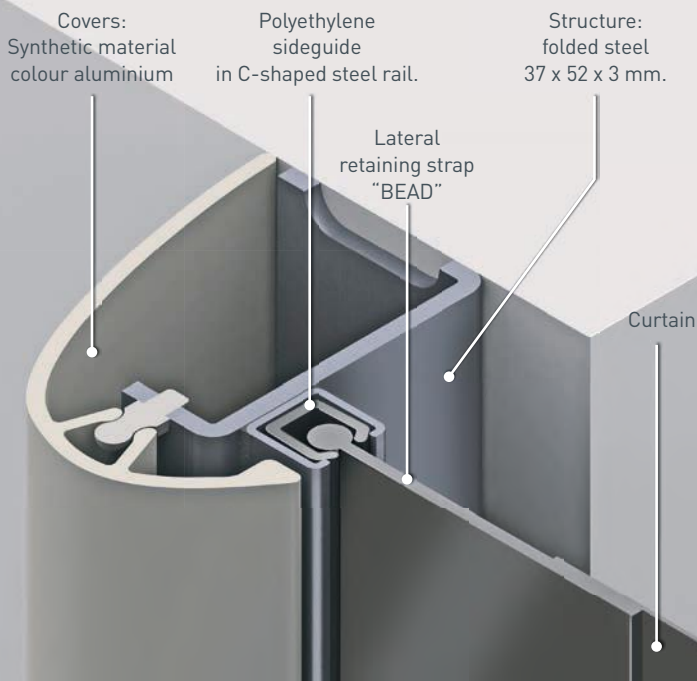
■ OPTIONAL EGRESS SYSTEMS

Choose from either our patented Emergency Egress or Battery Backup.

CHARACTERISTICS

Door specifications	
Door Dimensions	Minimum: 3'W x 7'H Maximum: 14'W x 14'H
Operating Speed	Up to 120" per second open (IPS) 24" per second closing (IPS)
Safety Features	Wireless DYNACO detector with reversing edge on bottom of door. Built-in infrared sensors in side guides 12" from floor. No coil cords. Anti-roll off detector ensure proper closing.
Door Panel	27oz./sq.yd. reinforced PVC vinyl. Soft bottom edge with wireless reversing edge. 9 standard colors readily available.
Vision Panels	Optional vision banner 15"H x door width or 31"H x door width. Optional individual windows 24"x24" also available.
Door Components	Outer side guides are formed from galvanized structural channels: 2 1/16"x 1 1/2" x 1/8". Comes standard with a curved composite drum cover and lateral side cover. Inner side guides are extruded Low Friction Polyethylene PE-UHMW 1000. 10" composite drive drum.
Control and Drive System	UL/CUL 508A cert, DYNALOGIX II solid state control board with LCD display, VFD, front panel E-stop and open/close button in a NEMA 4 steel control box with disconnect (22"x13"x7"). Optional NEMA 4x Stainless Steel enclosure with disconnect. DYNACOUNT 2 absolute encoder (DC2). Fully enclosed "In-Tube" direct drive 1 HP; UL,IP55 three phase induction motor (133/230). Voltage: single phase 208-230VAC, three phase 208-230VAC, 460VAC.
Optional Egress Safety Systems	Code compliant egress systems or battery backup available.

Low friction side guides

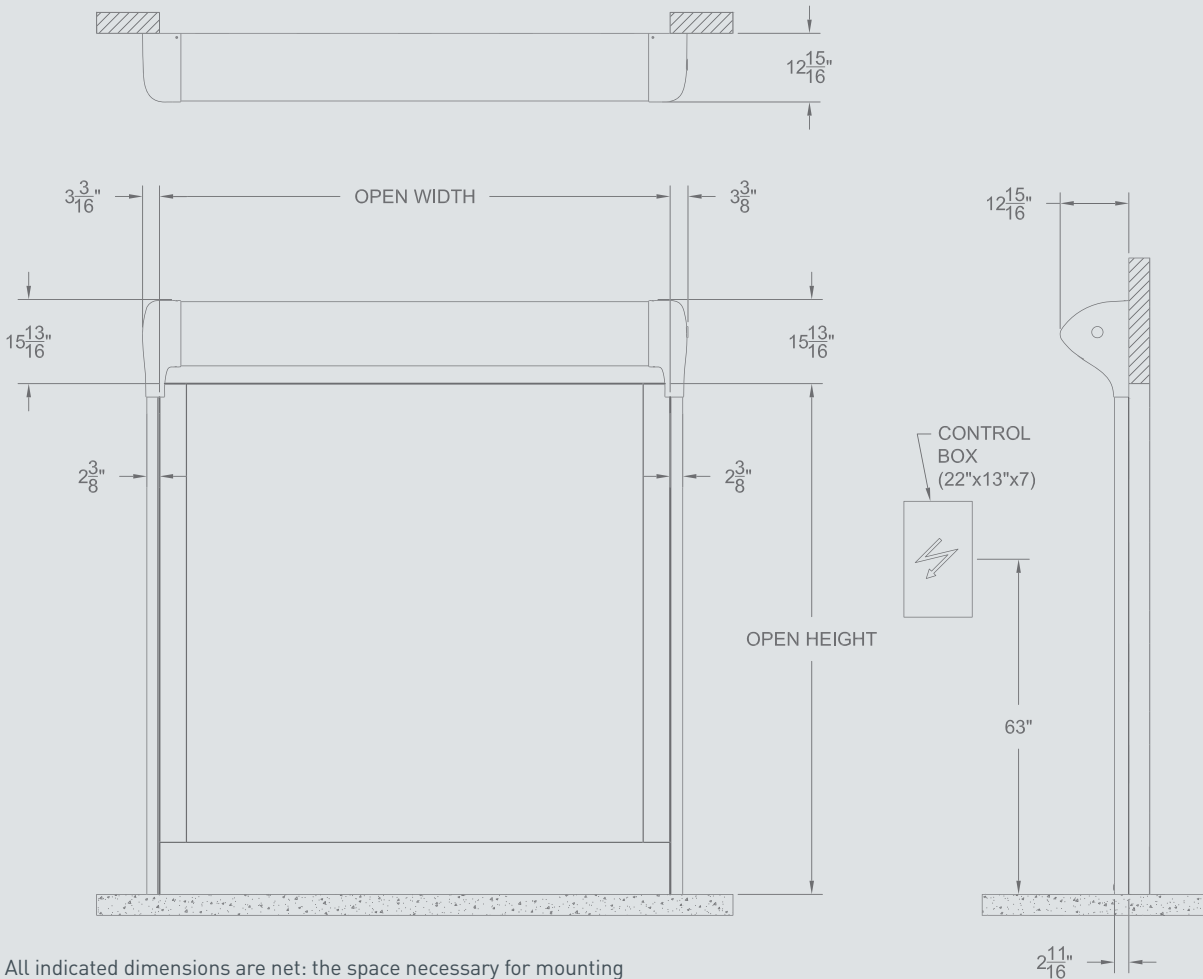


Reintroduction block



Dimensions and installation requirements

D-313 STREAMLINE HIGH PERFORMANCE DOOR



All indicated dimensions are net: the space necessary for mounting and maintenance has to be provided.

REMARK: based on the risk analysis of the environment, extra push buttons, detectors and covers might be required.

Entrematic offers a comprehensive range of products for industrial, commercial, institutional and residential applications, including sectional doors, loading dock equipment, high-performance doors, residential garage doors, pedestrian door automation and openers. Built on nearly 200 years of accumulated expertise, Entrematic is the preferred partner of distributors and the number one choice of end user customers, providing innovative products, technical expertise and a portfolio of industry-leading brands including Amarr, Kelley, Serco, Dynaco, Ditec and Ditec. Entrematic, Amarr, Kelly, Serco, Normstahl, Dynaco, Ditec and EM, as words and logotypes, are examples of trademarks owned by Entrematic Group AB or companies within the Entrematic Group.

© Entrematic Group AB, 2015

The Dynaco products are protected by worldwide registered patents. As part of its policy of continuous product development, Entrematic reserves the right to change the characteristics of its products or components without prior notice.

Disclaimers: For a correct use of our products, please refer to our manual.

Everything that is mentioned in this brochure is only valid under the terms of use in the user manual and on condition that the door was properly installed and maintained and has not undergone abuse nor neglect.

ENTREMATICA USA
 935 Campus Drive Mundelein IL 60060
 P: 1-800-459-1930
 P: 1-847-562-4910
 F: 1-800-459-1960
 Email: dynaco@dynacodoor.us
www.dynacodoor.us

ENTREMATICA