

**ENTRE//MATIC**



## **DYNACO ALL WEATHER M2 HIGH PERFORMANCE DOOR**

**Push-Pull**  
gear driven technology



**exterior door**

[www.dynacodoor.us](http://www.dynacodoor.us)



# DYNACO ALL WEATHER M2 HIGH PERFORMANCE DOOR

Specifically designed for exterior applications, the DYNACO All Weather M2 is engineered for high cycles, extreme weather and high wind loads. The All Weather M2 incorporates patented push pull technology, pivoting side guides, soft edge technology, self-reinsertion and industrial quality controls. Combined, the systems provide maximum performance and safety for high-pressure applications.

The All Weather M2 can be mounted interior or exterior to the building and is available with a wide variety of optional equipment. The door is free of rigid components and conventional weather-strip systems. Thus reducing maintenance cost and improving energy efficiency.

Available in nine standard colors and with additional vision and fabric options, the All Weather M2 will compliment your building architecture while providing maximum efficiency, safety and reliability.

## ■ PATENTED DRIVE SYSTEM

"Push-Pull" technology incorporates a gear drive system, which eliminates rigid components and allows for reliable open and close under pressure.

## ■ PATENTED SIDE FRAME ASSEMBLY

Capable of handling wind loads of up to 32 psf, the side guide is spring-loaded and pivots. This allows operation under pressure and reduces wear and tear.

## ■ ENCAPSULATED GUIDE

The inner guide is constructed of durable UHMW, which reduces wear and friction. The guide is re-enforced with a steel channel, providing continuous wind resistance along the full height of the door. The encapsulated design provides superior seal while eliminating conventional weather-strip systems.

## ■ SELF RE-INSERTING DOOR CURTAIN

In the event of an accidental impact, the inner guide expands and allows the curtain edge to separate. The curtain automatically re-inserts on the up cycle without manual intervention.

## ■ SAFETY ENGINEERED WITHOUT RIGID COMPONENTS

The curtain is flexible in all directions and utilizes soft edge technology. A wireless reversing edge is sealed in the bottom loop for additional safety. The soft and flexible curtain prevents accidents associated with rigid component doors. Thru-beam photo eyes are also included as standard.

## ■ DRIVE SYSTEM

The direct drive motor and hollow shaft gearbox are IP65 rated for harsh duty wet environments. A NEMA 4x rated encoder provides accurate positioning without the use of mechanical components. The motor is warranted for 5 years unlimited cycles.

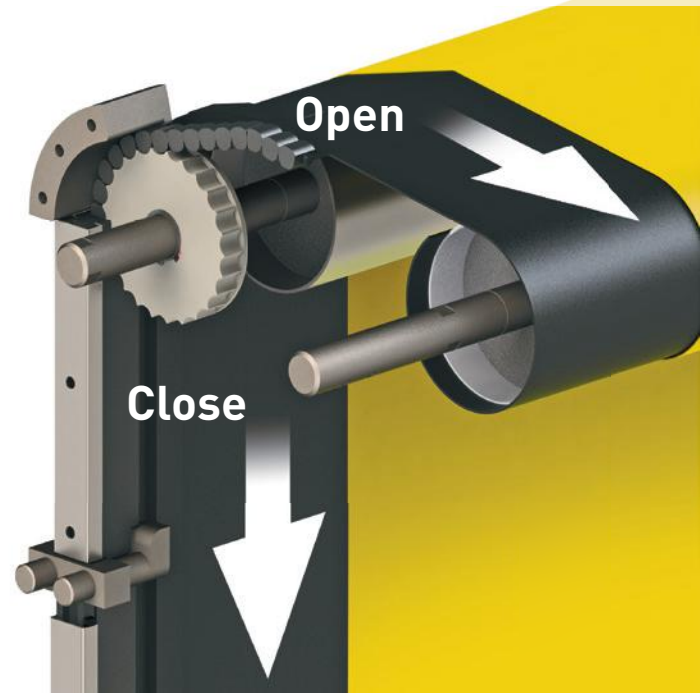
## ■ CONTROL SYSTEM

The industrial quality control system is modular in design and housed in a NEMA 4/12 enclosure. The DYNALOGIX controller is self-diagnostic, user friendly and equipped with a multi character LCD screen. A separate VFD, door mounted disconnect wireless receiver complete the feature packed system.

Wind resistant



"PUSH-PULL" Drive Technology



# Push-Pull

gear driven technology



## exterior door

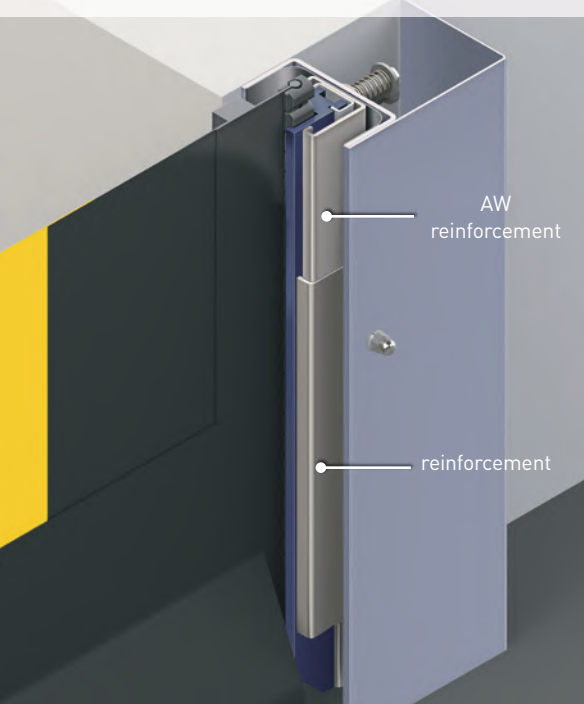
### TECHNICAL SPECIFICATIONS

<b>Door Dimensions</b>	Minimum: 6' W x 6'H Maximum: 18'W x 18'H
<b>Operating Speed</b>	Up to 96" per second open Up to 48" per second closing
<b>Safety Features</b>	Soft bottom edge design. Wireless reversing edge and built-in infrared sensor. No coil cords.
<b>Door Panel</b>	Reinforced PVC (27 oz/sq.yd). Available in different colors and provided with side sealing zippers; soft bottom edge design.

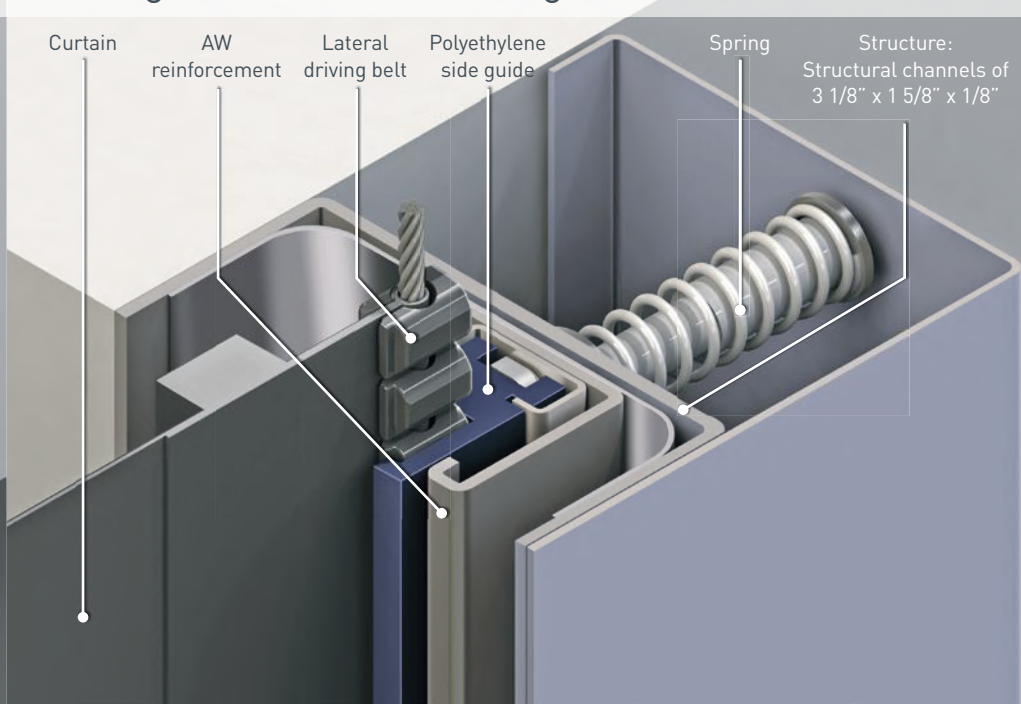
### TECHNICAL SPECIFICATIONS

<b>Door Components</b>	Direct Drive Unit. Side frames made of structural channels of 3 1/8" x 1 5/8" x 1/8" in galvanized steel. Inner side guides in Polyethylene (PE-UHMW 1000); outer section 7/8" x 1 9/16", on springs. Galvanized side guide covers included
<b>Control and Drive System</b>	UL approved control system housed in NEMA 4/12 enclosure. DYNALOGIX II controller with variable frequency drive and high resolution encoder. Voltage: 208-240 VAC, 480 VAC, 575VAC. Motor 1HP, 2HP, 3ph, 60Hz. Protection degree IP65.
<b>Wind resistance</b>	Applications ≤ 295sqft resist static pressure ≥ 20 psf. Applications > 295sqft resist static pressure = 20psf.

### Side reinforcement

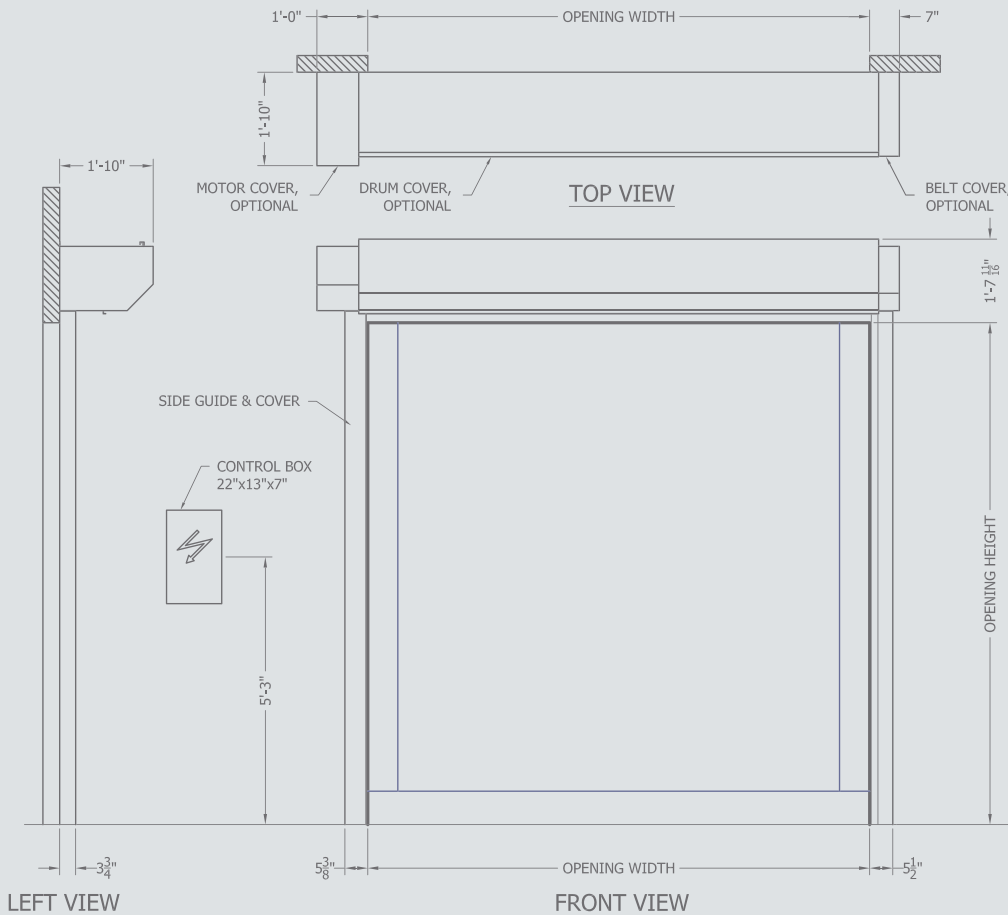


### Side guide and lateral driving belt



# Dimensions and installation requirements

## DYNACO All Weather M2 High Performance Door



All indicated dimensions are net: the space necessary for mounting and maintenance has to be provided.

REMARK: based on the risk analysis of the environment, extra push buttons, detectors and covers might be required.

Entrematic offers a comprehensive range of products for industrial, commercial, institutional and residential applications, including sectional doors, loading dock equipment, high-performance doors, residential garage doors, pedestrian door automation and openers. Built on nearly 200 years of accumulated expertise, Entrematic is the preferred partner of distributors and the number one choice of end user customers, providing innovative products, technical expertise and a portfolio of industry-leading brands including Amarr, Kelley, Serco, Dynaco and Ditec. Entrematic, Amarr, Kelly, Serco, Normstahl, Dynaco, Ditec and EM, as words and logotypes, are examples of trademarks owned by Entrematic Group AB or companies within the Entrematic Group.

© Entrematic Group AB, 2015

The Dynaco products are protected by worldwide registered patents. As part of its policy of continuous product development, Entrematic reserves the right to change the characteristics of its products or components without prior notice.

Disclaimers: For a correct use of our products, please refer to our manual.

Everything that is mentioned in this brochure is only valid under the terms of use in the user manual and on condition that the door was properly installed and maintained and has not undergone abuse nor neglect.

**ENTREMATICA USA**  
 935 Campus Drive Mundelein IL 60060  
 P: 1-800-459-1930  
 P: 1-847-562-4910  
 F: 1-800-459-1960  
 Email: [dynaco@dynacodoor.us](mailto:dynaco@dynacodoor.us)  
[www.dynacodoor.us](http://www.dynacodoor.us)

**ENTREMATICA**

