

ENTRE//MATIC



DYNACO POWER M3 HIGH PERFORMANCE DOOR

Push-Pull
gear driven technology



interior door

www.dynacodoor.us



DYNACO POWER M3 HIGH PERFORMANCE DOOR

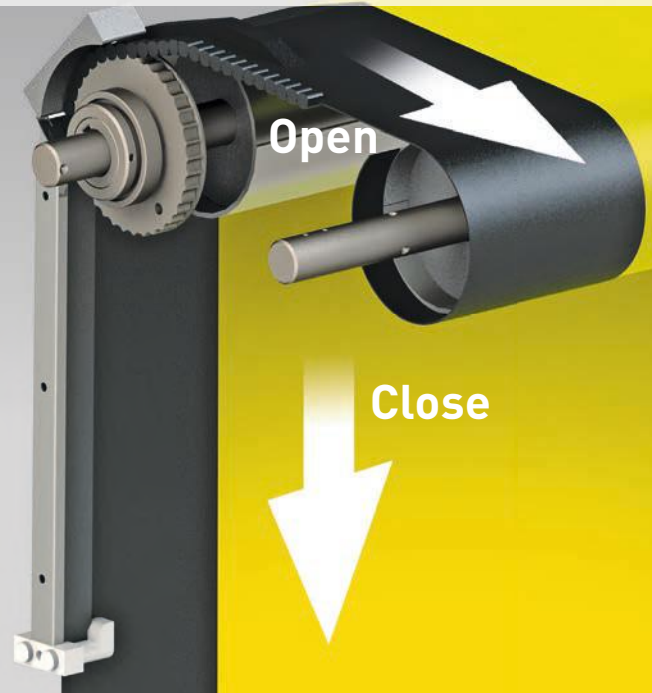
Designed for large interior applications, the DYNACO Power M3 is a safe and reliable high speed, high cycle door solution. The Power M3 boasts an extremely fast open/close cycle, which assures maximum workflow, employee comfort, environmental control and a significant reduction in energy costs. A tight seal also provides protection against air and contaminate infiltration. Soft curtain technology provides protection for employees and product against injury or damage as a result of accidental impact.

- **EXCLUSIVE "PUSH-PULL" TECHNOLOGY**
Patented door drive system insures consistent, maintenance-free performance while eliminating rigid components.
- **PATENTED SIDE FRAME DESIGN**
Pivoting side guides and encapsulated curtain edge provide superior seal, without wear prone and contamination generating blade or brush systems.
- **SELF-REINSERTING**
If accidentally dislodged from the side guides, the curtain automatically re-inserts into the guides without manual intervention.
- **SOFT CURTAIN TECHNOLOGY**
No rigid bottom bars or wind bars/ribs. The M3 Power door's flexible curtain means user and product safety.
- **WIRELESS REVERSING EDGE**
Should anything or anyone come in contact with the bottom edge of the door, a built in sensor automatically reverses the door for maximum safety.
- **FREQUENCY DRIVEN MOTOR WITH ENCODER**
Advanced drive system assures that your Power M3 door will operate smoothly, and reduces the need for wearable elements thus ensuring consistent performance and workflow.
- **DYNALOGIX II CONTROL**
The DYNALOGIX II Controller is user friendly, and offers great flexibility in matching your door needs specifically to your operation.

Safe



Push-Pull operation



Push-Pull

gear driven technology



interior door

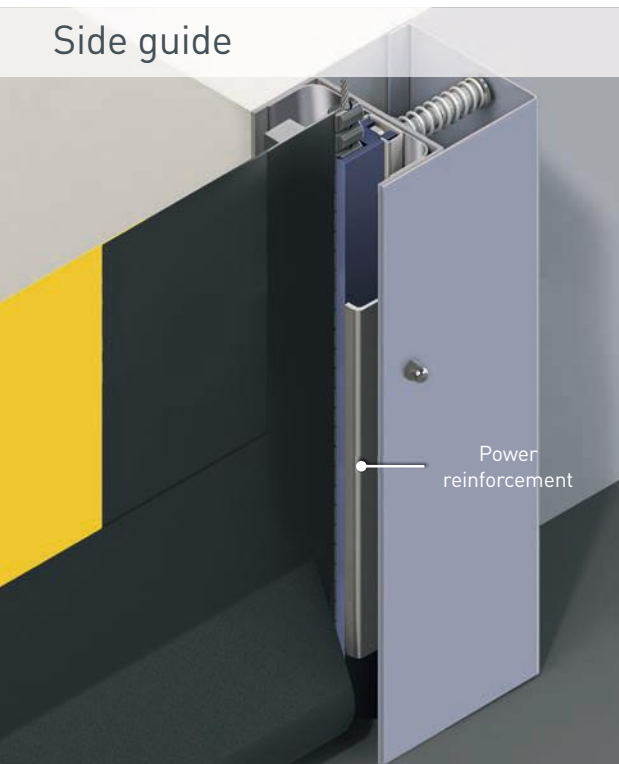
TECHNICAL SPECIFICATIONS

Door Dimensions	Minimum: 18' W x 18' H Maximum: 39' W x 18' H
Operating Speed	Up to 31.2" per second open Up to 31.2" per second closing
Safety Features	Soft bottom edge with wireless reversing edge and built-in infrared sensors.
Door Panel	27 oz/sq.yd reinforced PVC vinyl. Available in your choice of color and optional vision panels.

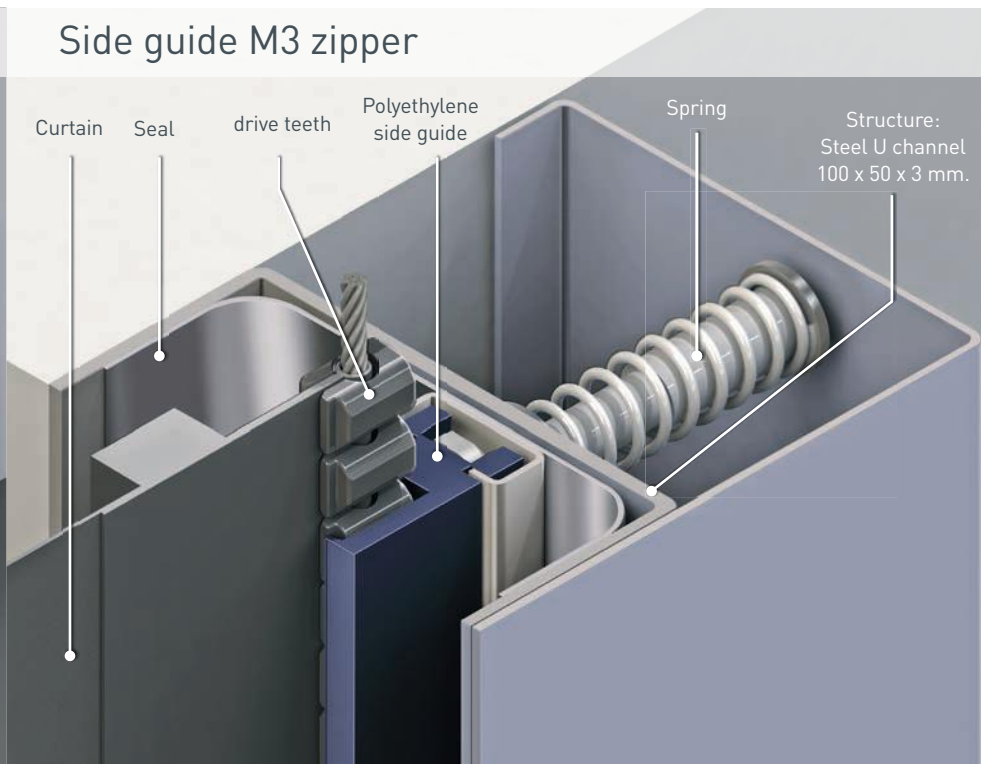
TECHNICAL SPECIFICATIONS

Door Components	Direct Drive Unit. Side frames constructed of structural channels of 3 15/16" x 1 15/16" x 1/8" in galvanized steel. Inner side guides in Polyethylene (PE-UHMW 1000); retained in steel C channels 7/8" x 1 9/16", on springs pivoting. Galvanized side guide covers included.
Fore Frame	Painted fore frame included.
Control and Drive System	UL approved industrial control panel housed in NEMA 4/12 enclosure. DYNALOGIX II controller with variable frequency drive and high resolution encoder. Voltage: 208-240 VAC, 480 VAC, 575VAC. Motor 3.35HP, 3ph, 60Hz. Protection degree IP65.
Wind resistance	4.3 to 8.8 psf depending on door size. Equivalent to winds up to 60 mph.

Side guide

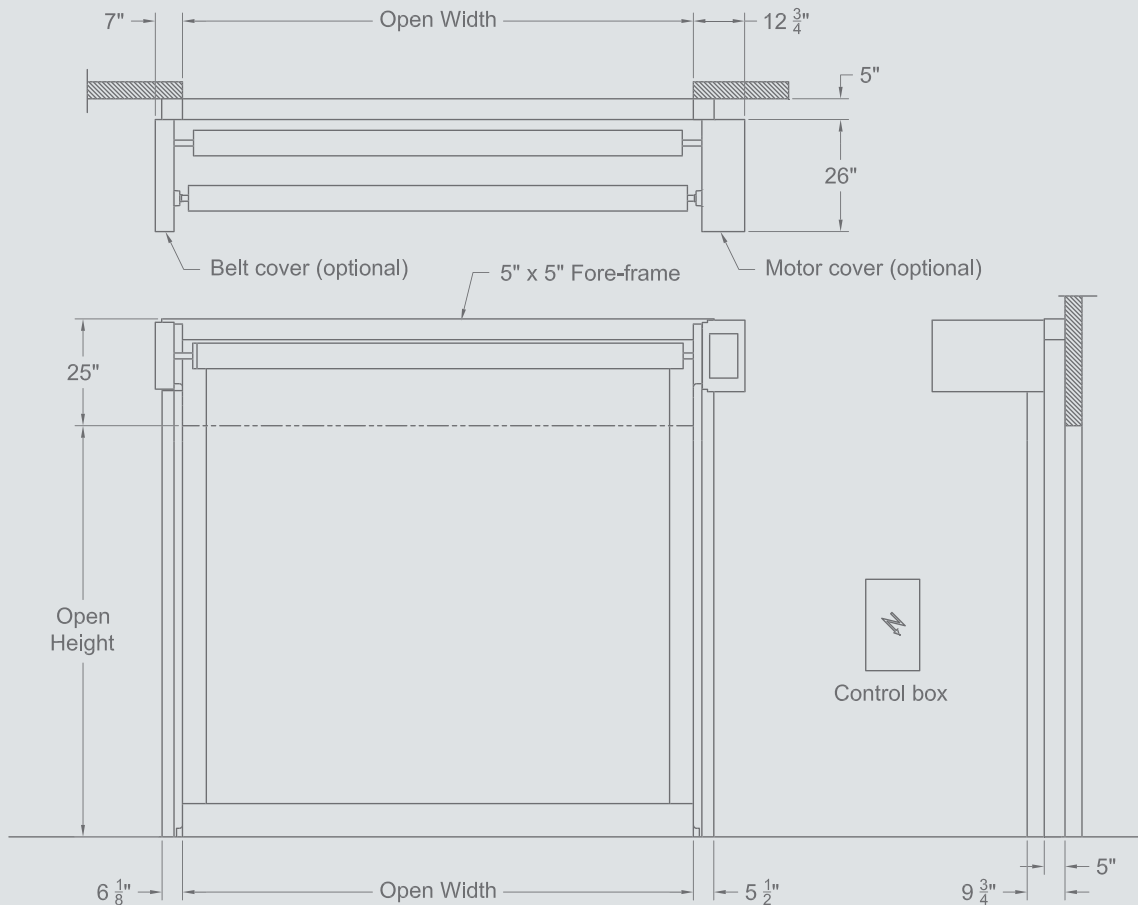


Side guide M3 zipper



Dimensions and installation requirements

DYNACO POWER M3 HIGH PERFORMANCE DOOR



All indicated dimensions are net: the space necessary for mounting and maintenance has to be provided.

REMARK: based on the risk analysis of the environment, extra push buttons, detectors and covers might be required.

Entrematic offers a comprehensive range of products for industrial, commercial, institutional and residential applications, including sectional doors, loading dock equipment, high-performance doors, residential garage doors, pedestrian door automation and openers. Built on nearly 200 years of accumulated expertise, Entrematic is the preferred partner of distributors and the number one choice of end user customers, providing innovative products, technical expertise and a portfolio of industry-leading brands including Amarr, Kelley, Serco, Dynaco and Ditec. Entrematic, Amarr, Kelly, Serco, Normstahl, Dynaco, Ditec and EM, as words and logotypes, are examples of trademarks owned by Entrematic Group AB or companies within the Entrematic Group.

© Entrematic Group AB, 2015

The Dynaco products are protected by worldwide registered patents. As part of its policy of continuous product development, Entrematic reserves the right to change the characteristics of its products or components without prior notice.

Disclaimers: For a correct use of our products, please refer to our manual.

Everything that is mentioned in this brochure is only valid under the terms of use in the user manual and on condition that the door was properly installed and maintained and has not undergone abuse nor neglect.

ENTREMATICA USA
 935 Campus Drive Mundelein IL 60060
 P: 1-800-459-1930
 P: 1-847-562-4910
 F: 1-800-459-1960
 Email: dynaco@dynacodoor.us
www.dynacodoor.us

ENTREMATICA

