

BLUE GIANT®

MECHANICAL DOCK LEVELER

LOAD USAGE

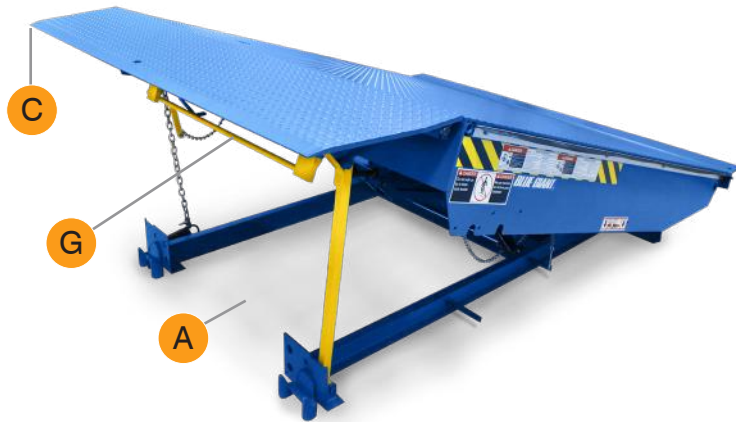
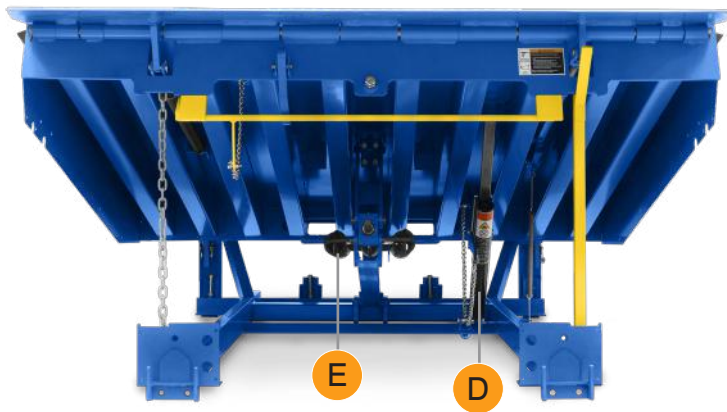
Up to 20,000 lb
(9,071 kg)

LOAD CLASS

Workhorse
Heavy
Super



Designed for demanding applications.
Delivering maximum efficiency and performance.



A
Clean Frame Design
 Allows for easy pit cleaning and reduces trapped debris.

B
One Piece Dock Strut
 Updated design increases stability, reduces engagement time, and lessens the likelihood of improper positioning.

C
Lip
 Lip deployment system increases the operating range and reduces the amount of pull force necessary to deploy.

D
Ratchet Hold-Down Assembly
 Solid locking device with a built in pressure relief system.

E
Heavy-Duty Lift Springs
 High-grade Chrome Silicon springs, backed by an industry-leading warranty.

F
Robust Pull Chain
 Minimal force required to smoothly deploy the deck.

G
Mechanical Fall Safe Legs
 Reduces fall distance in the event of premature truck departure.

OVERVIEW +FEATURES

EASY TO OPERATE

- Engineered with a focus on usability, the Blue Giant Mechanical Dock Leveler is simple to activate and requires less walk down force.
- Deck deploys in a smooth, controlled fashion.
- Crossbow lifting mechanism design requires no initial adjustment.
- Optional: Equip with easy-pull system to further reduce pull force by up to 33%.



POWERFUL HOLD-DOWN SYSTEM

- Ratchet hold-down system offers a secure hold throughout the dock operating range.
- Automatic float compensation and a pressure relief system prevent tension overload. This allows the dock to dynamically adjust to changes in trailer bed height.
- A robust welded pull chain ring drastically decreases the likelihood of link distortion.
- Cadmium-plated ratchet is corrosion-resistant, supporting system longevity.
- Features eight heavy-duty Cadmium-plated teeth that are wider and deeper than the competition, resulting in a superior grip.

STRUCTURAL INTEGRITY

- 8-10 enhanced J-beam channels are welded to the underside of the deck at dynamic impact points to prevent distortion and extend the lifetime of the dock leveler.
- The 7' dock features just 6" (152mm) of space between beams at the center, making the dock suitable for 4 or 3 wheel forklifts as standard.
- Notched headboard and base frame provide increased stability for service equipment, such as the dock strut and service stand.
- A redesigned lip deployment system requires minimal initial adjustments and features an increased operating range.



DESIGNED WITH SAFETY IN MIND

- One piece dock strut settles firmly into vertical position, supporting both deck and lip for safe remote under-deck maintenance and pit maintenance.
- If a truck leaves the dock unexpectedly or slides free from the lip plate, mechanical fall-safe legs prevent platform free-fall, minimizing the risk of worker injury and equipment damage.
- Two stage mechanical fall-safe legs eliminate front curb angle damage, preventing costly concrete repairs.

DECK FLEX ADVANTAGE

- Ideal for normal loading conditions, the fixed rear hinge design allows the deck to flex up to 4" (102 mm) when under load to ensure full-width contact between the lip and the truck bed.
- The deck remains flush with the floor to eliminate pinch points and cross traffic obstruction.
- High tensile J-beams allow the deck to easily flex side to side while maintaining back to front rigidity without distorting over time.

INNOVATION AND QUALITY

- An North American industry-first, the Blue Giant Mechanical Dock Leveler features a powder coat finish as standard, providing unrivaled longevity to finish and color.
- State-of-the-art robotic welding increases structural integrity .
- Plasma cut parts ensure uniform quality.

DESIGN

LEVELER SELECTION - LOAD CLASSIFICATION

TOTAL LOAD

LOAD WEIGHT + VEHICLE WEIGHT

≤ 5MPH

≤ 7% DECK GRADE

DAILY USAGE

FULL TRUCK (FTL) / CYCLES

FULL TRUCK (FTL)	CYCLES
0-8	0-200
9-16	201-400
17-24	401-600
≥ 24	≥ 600

FULL TRUCK = 24-26 PALLETS

LOAD CLASS

LOAD + USAGE

WORKHORSE

HEAVY

SUPER

EXTREME

ULTRA

LOAD USAGE

MAX 40,000 LB

To determine your optimal loading dock solution, contact a Blue Giant sales representative with your total load and daily usage data.

PIT DIMENSIONS

NOMINAL SIZE		PIT WIDTH (W)		PIT LENGTH (L)	
		in	mm	in	mm
6' x 6'	1829 x 1829mm	74	1880	63	1600
6' x 8'	1829 x 2438mm			87	2210
6' x 10'	1829 x 3048mm			111	2819
6' 6" x 6'	1981 x 1829mm	80	2032	63	1600
6' 6" x 8'	1981 x 2438mm			87	2210
6' 6" x 10'	1981 x 3048mm			111	2819
7' x 6'	2133 x 1829mm	85	2159	63	1600
7' x 8'	2133 x 2438mm			87	2210
7' x 10'	2133 x 3048mm			111	2819

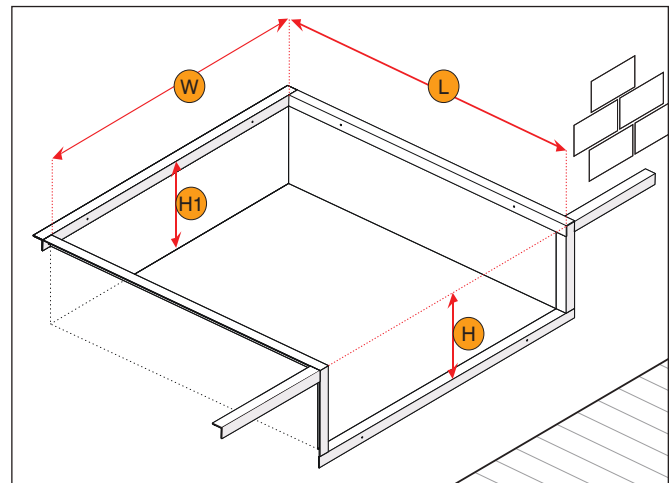
Standard Pit Depth: Front (H): 20" (508mm) Rear (H1): 19.5" (495mm)

Model Number Ordering Format: M - SIZE - CLASS

Sample Order: Mechanical - 6' x 6' - Workhorse

Sample Model Number: M6006W

COLOUR OPTIONS



OPTIONS

- Lip Length 16" (406 mm) Standard
- 18" (457 mm) or 20" (508 mm)
- No-Shim™ dock frame
- Energy Seal Plus™
- Side and Rear Weather Seal
- EasyPull™
- Full Range Toe Guards
- Closed Pit Dock Frame
- Grease Fittings on Lip Tube

AUTHORIZED DEALER

Corporate 410 Admiral Blvd
Mississauga, ON, Canada L5T 2N6
905.457.3900 f 905.457.2313

USA 6350 Burnt Poplar Road
Greensboro, NC 27409
www.bluegiant.com

Blue Giant offers a full line of dock levelers, dock safety equipment, seals and shelters, accessories, ergonomic and scissor lift equipment and industrial trucks. Concurrent with our continuing product improvement program, specifications are subject to change without notice. Please contact Blue Giant for latest information. Some features illustrated may be optional in certain market areas.

If calling within North America: t 1.800.872.2583 f 1.888.378.5781

DL-MECH-080118 © Copyright Blue Giant Equipment Corporation 2018